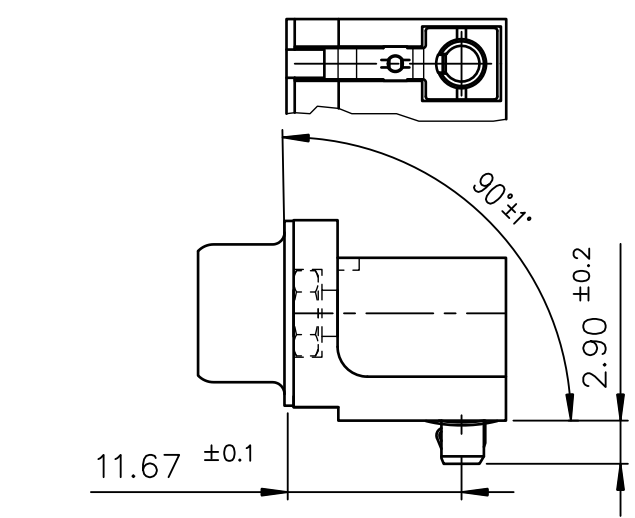


SHELL	A±0.38	B±0.12	C±0.10	D +0.25	E±0.07	G	TIN LEAD P/N	TIN LEAD P/N	LEAD FREE P/N	LEAD FREE P/N
09	30.81	24.99	18.00	16.79	10.96	5.90 +0.15	D09P81C4GL00	D09P81C6GL00	D09P81C4GL00LF	D09P81C6GL00LF
15	39.14	33.32	26.32	25.12	19.18	5.90 +0.15	D15P81C4GL00	D15P81C6GL00	D15P81C4GL00LF	D15P81C6GL00LF
25	53.03	47.04	40.04	38.84	33.12	5.70 +0.25	D25P81C4GL00	D25P81C6GL00	D25P81C4GL00LF	D25P81C6GL00LF
37	69.32	63.50	56.50	55.30	49.68	5.70 +0.25	D37P81C4GL00	D37P81C6GL00	D37P81C4GL00LF	D37P81C6GL00LF
							Gold flash	0.76 μ gold	Gold flash	0.76 μ gold



GENERAL CHARACTERISTICS AND ROHS INFORMATIONS:

SEE DRAWING C01-8646-0001

mat'l. code		surface		tolerance		projection		product family	
-		ISO 1302 ✓		ISO 406 ISO 1101		MM		D-SUB	
ltr		ecn no		dr		date		title	
G		ELX-I-18050		MP		2014/06/23		MALE CONNECTOR DELTA-D EUROPE RIGHT ANGLED PRESS FIT	
angles		linear		linear		linear		dwg no	
0°±2°		.0±0.1		.00±0.1		.000±0.1		sheet 1 of 1	
								size	
								A3	
								type	
								Product Customer Drawing	
sheet index		revision		G					
sheet		1							