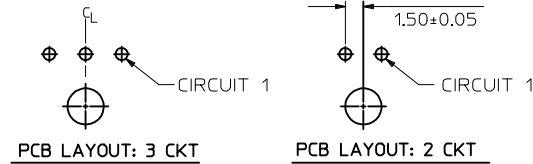
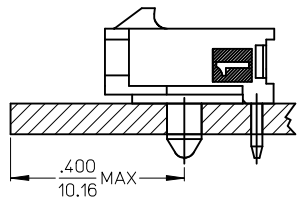
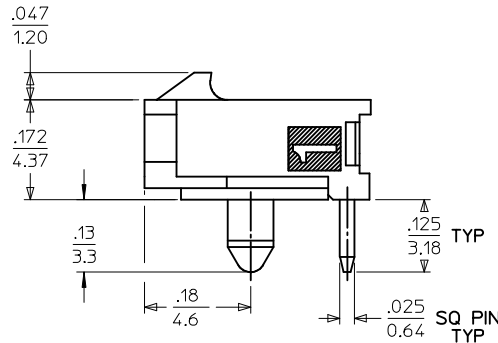
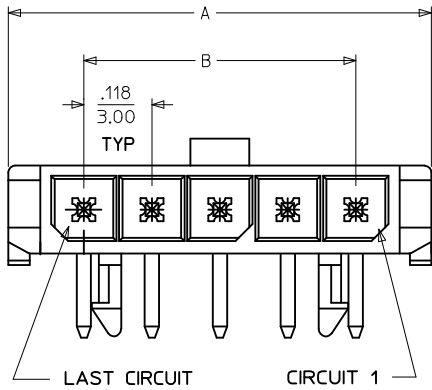


PCB LAYOUT: COMPONENT SIDE
RECOMMENDED PCB THICKNESS: .062/157
4-12 CIRCUIT HEADERS

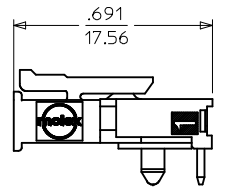
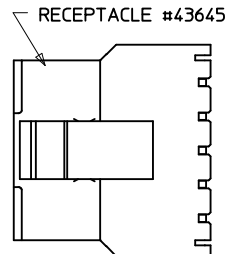


CKTS	A	B	C
2	.380 9.65	.118 3.00	NA
3	.498 12.65	.236 6.00	NA
4	.616 15.65	.354 9.00	.185 4.70
5	.734 18.64	.472 12.00	.303 7.70
6	.852 21.64	.591 15.00	.421 10.70
7	.970 24.64	.709 18.00	.539 13.70
8	1.088 27.64	.827 21.00	.657 16.70
9	1.206 30.63	.945 24.00	.776 19.70
10	1.325 33.66	1.063 27.00	.894 22.70
11	1.443 36.65	1.181 30.00	1.012 25.70
12	1.561 39.65	1.299 33.00	1.130 28.70



LOCATION DETAIL (SEE NOTE #6)

CKTS	FINISH A		FINISH B		FINISH C		FINISH D	
	MATERIAL NO:	VOID CKT#	MATERIAL NO:	VOID CKT#	MATERIAL NO:	VOID CKT#	MATERIAL NO:	VOID CKT#
02	43650-0200	N/A	43650-0201	N/A	43650-0202	N/A	43650-0237	
03	43650-0300	N/A	43650-0301	N/A	43650-0302	N/A		
04	43650-0400	N/A	43650-0401	N/A	43650-0402	N/A		
05	43650-0500	N/A	43650-0501	N/A	43650-0502	N/A		
06	43650-0600	N/A	43650-0601	N/A	43650-0602	N/A		
07	43650-0700	N/A	43650-0701	N/A	43650-0702	N/A		
08	43650-0800	N/A	43650-0801	N/A	43650-0802	N/A		
09	43650-0900	N/A	43650-0901	N/A	43650-0902	N/A		
10	43650-1000	N/A	43650-1001	N/A	43650-1002	N/A		
11	43650-1100	N/A	43650-1101	N/A	43650-1102	N/A		
12	43650-1200	N/A	43650-1201	N/A	43650-1202	N/A		
03	43650-1300	2						
05								
09	43650-1900	2,4,5	43650-1901	2,4,6,8				
					43650-1502	2,3,4		



MATED MICRO FIT CONNECTOR

NOTES:

- HOUSING MATERIAL: LIQUID CRYSTAL POLYMER, GLASS FILLED, UL94V-0, COLOR - BLACK
TERMINAL MATERIAL: BRASS ALLOY
- FINISH:
 - A = .000060/(0.00152) MIN. REFLOWED MATTE TIN OVER .000050/(0.00127) MIN. NICKEL (FINISH IS BRIGHT IN APPEARANCE, THICKNESS AS APPLIED PRIOR TO REFLOW)
 - B = .000015/(0.00038) MIN. SELECT GOLD IN CONTACT AREA .000100/(0.00254) MIN. SELECT MATTE TIN ON SOLDER TAILS BOTH OVER .000050/(0.00127) NICKEL OVERALL
 - C = .000030/(0.00076) MIN. SELECT GOLD IN CONTACT AREA .000100/(0.00254) MIN. SELECT MATTE TIN ON SOLDER TAILS BOTH OVER .000050/(0.00127) NICKEL OVERALL
 - D = .000100/(0.00254) MIN. MATTE TIN OVER .000050/(0.00127) MIN. NICKEL
- PRODUCT SPECIFICATION: PS-43650
- TRAY PACKAGED : SEE MOLEX DRAWING PK-70873-0321
- MATES WITH MICRO FIT (3.0) RECEPTACLE SERIES 43645
- TO AVOID INTERFERENCE BETWEEN RECEPTACLE AND PCB, HEADER MUST BE PLACED WITHIN .400/(10.16) MAX. FROM EDGE OF PCB, AS SHOWN IN LOCATION DETAIL.
- PARTS CONFORM TO CLASS 'B' REQUIREMENTS OF COSMETIC SPECIFICATION PS-45499-002

REVISE FINISH A EC NO: UCP2016-2946 DRWINBAPPELDORN 2016/01/28 CHKD:JDFOX 2016/01/28 APPR:FSMITH 2016/03/18	QUALITY SYMBOLS ▽=0 ▽=0 ▽=0	GENERAL TOLERANCES (UNLESS SPECIFIED)	DIMENSION STYLE IN/MM	SCALE ---	DESIGN UNITS METRIC	THIRD ANGLE PROJECTION
		4 PLACES ± --- ± ---	DRAWN BY SAMIEC	DATE 2000/07/07	TITLE MICRO-FIT (3.0) SINGLE ROW / RIGHT ANGLE THRU HOLE / PEGS / TRAY	DOCUMENT NO. SD-43650-001
		3 PLACES ± --- ± .010	CHECKED BY MUELLER	DATE 2000/07/07	SHEET NO. 1 OF 1	
		2 PLACES ± 0.25 ± .014	APPROVED BY FSMITH	DATE 2016/03/18		
1 PLACE ± 0.35 ± ---	ANGULAR ±1/2°		MATERIAL NO. SEE CHART		THIS DRAWING CONTAINS INFORMATION THAT IS PROPRIETARY TO MOLEX INCORPORATED AND SHOULD NOT BE USED WITHOUT WRITTEN PERMISSION	
0 PLACE ± --- ± ---	DRAFT WHERE APPLICABLE MUST REMAIN WITHIN DIMENSIONS		SIZE C			